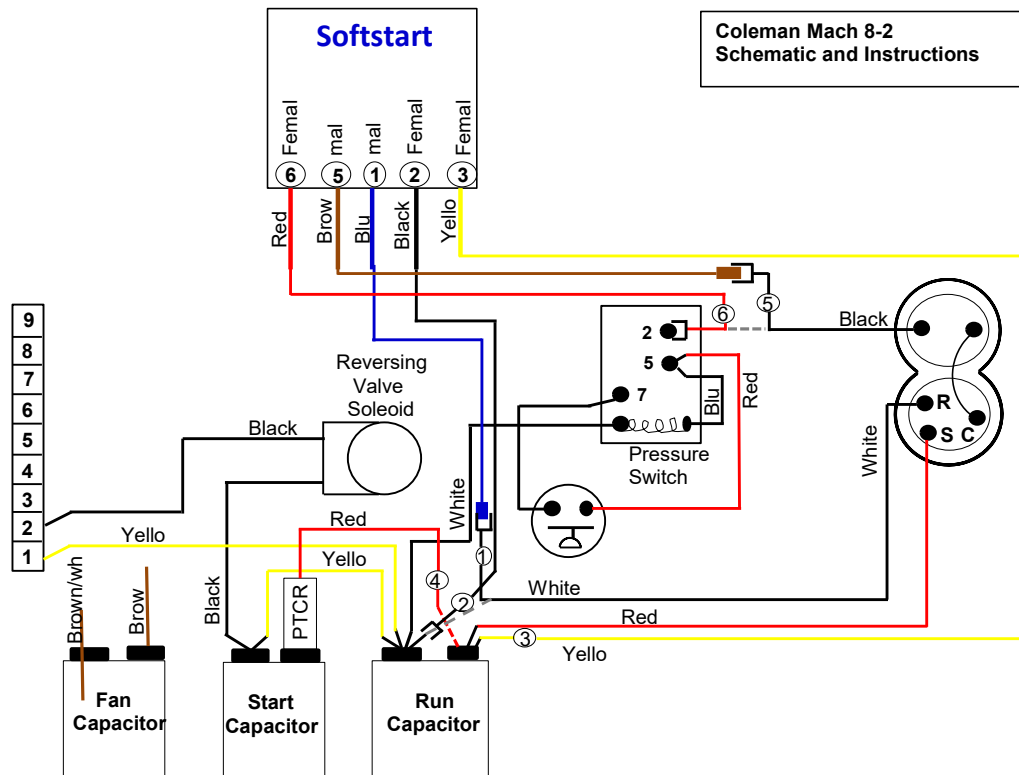


Turn ALL power and Breakers OFF Before Starting Install



Route ALL Softstart wires into Electrical box, Crimp disconnects on wires as shown in softstart box above

Step 1) Follow White compressor wire to "C" terminal of RUN capacitor, Disconnect and connect to Blue Softstart wire.

Step 2) Connect Black Softstart wire on "C" terminal White wire was on.

Step 3) Connect Yellow Softstart wire on a **HERM** terminal next to Red Compressor Wire

Step 4) **IF** you see a **2nd Red wire** next to red compressor wire on **Herm** terminal **DISCONNECT** and tape end

Step 5) Follow Black Compressor wire to The Pressure Switch Relay, Disconnect and connect it to the Brown Sofstart wire

Step 6) Connect the Red Softstart wire on the Pressure Switch Relay terminal the Black compressor wire was on.

Secure wires and tools to prevent fan pulling them in.

Turn Power and AC breaker on, Turn Fan on hi for 1 min, Turn AC on Auto cool set Tstat to 55

There may be a 3 min delay before Green light on Sofstart comes on, Wait a full 3 min. If aftr 3 min no green light shut ac down Contact Tech Support.

When you get the Green light shut AC down replace all covers, then turn AC back on and allow to run for 30 min